



BL11 Specification Sheet

BL11 Alexander

Patent Pending

FEATURES

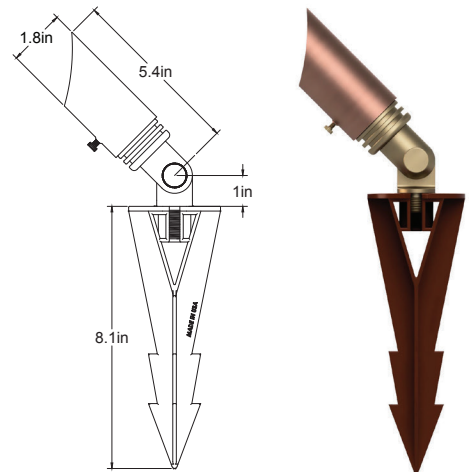
- Lifetime Warranty
- UL Listed
- Constructed For Extreme Conditions
- Eco-Efficient LED Technology
- Available in Custom Colors & Finishes
- Available Only Through ClaroLux Installation Professionals

APPLICATIONS

- Uplighting Smaller Trees & Architectural Features
- Illuminating Shrubs, Walls, Small Features, & Mailboxes
- Highlighting Dormers & Eaves

QUICK SPECS

- MR11
- Max Wattage: 20W
- Wire AWG: 18-2
- Wire Lead: 10ft
- UL Listed: USA & Canada
- Warranty: Lifetime



OPTIONAL ACCESSORIES

For a list of optional accessories speak with your professional ClaroLux installer.

AVAILABLE FINISHES



Rev 8.1 | 1.24

Designed, CNC Machined, Finished and Assembled in America with US and Global Components
 Factory Direct • Professional Grade • Landscape Lighting Fixtures, Supplies and Accessories