



ClaroLux®

LANDSCAPE LIGHTING

BL23 Specification Sheet

BL23 Ravenna

Patent: D735,923

FEATURES

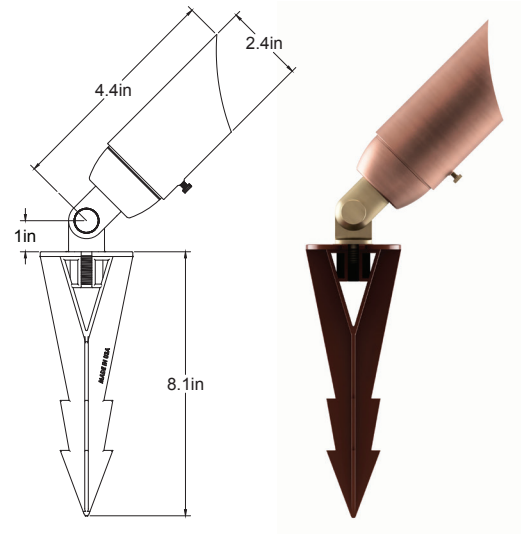
- Lifetime Warranty
- UL Listed
- Constructed For Extreme Conditions
- Eco-Efficient LED Technology
- Available in Custom Colors & Finishes
- Available Only Through ClaroLux Installation Professionals

APPLICATIONS

- Uplighting Trees & Architectural Features
- Illuminating Midsize Landscaping
- Highlighting Dormers & Eaves

QUICK SPECS

- MR16
- Max Wattage: 35W
- Wire AWG: 16-2
- Wire Lead: 10ft
- UL Listed: USA & Canada
- Warranty: Lifetime



OPTIONAL ACCESSORIES

For a list of optional accessories speak with your professional ClaroLux installer.

AVAILABLE FINISHES



Rev 8.1 | 1.24

Designed, CNC Machined, Finished and Assembled in America with US and Global Components
 Factory Direct • Professional Grade • Landscape Lighting Fixtures, Supplies and Accessories

2501 Greengate Drive | Greensboro, NC 27406 | ClaroLux.com