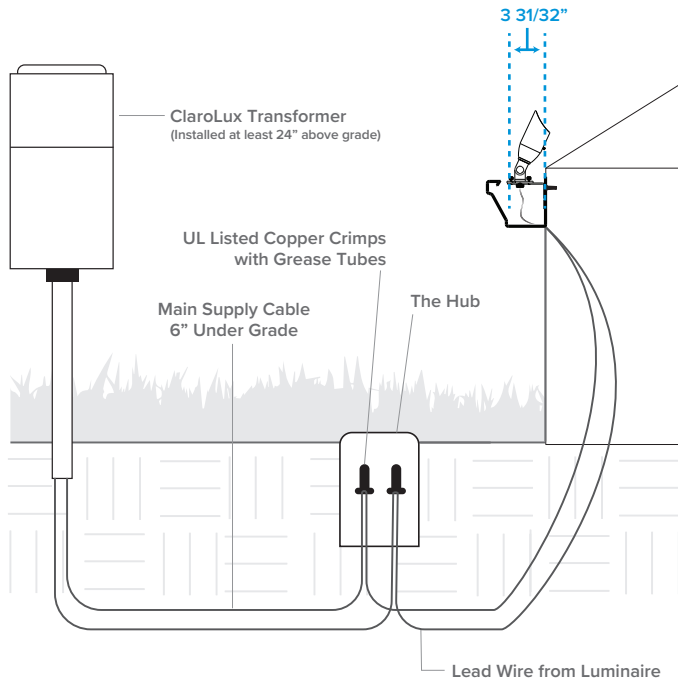




Patent # US 10,088,134 B1

GM100 Gutter Mount with Universal Adjustable Plate



LUMINAIRE MOUNTING

- 1) To prevent electrical shock, disconnect transformer from electrical supply before installation or service of any ClaroLux® luminaire.
- 2) Use mounting screws to mount the gutter mount bracket in the desired location. If mounting on concrete use drill and anchors.
- 3) Once the gutter mount bracket is firmly locked into place, screw the mini-brass thumb screws into the gutter mounting bracket.
- 4) After inserting the mini-brass thumb screws into the bracket, screw the luminaire into the universal adjustable plate.
- 5) Make sure that the luminaire is tightly fastened to the universal adjustable plate. An optional brass threaded lock washer is provided to help secure the luminaire to the universal adjustable plate.
- 6) Once the luminaire is securely fastened to the universal adjustable plate line up the slots for the mini-brass thumb screws and drop the universal adjustable plate over the mini-brass thumb screws that are attached to the gutter mount bracket.
- 7) Twist the universal adjustable plate so that the luminaire is pointing in the desired direction then tighten down both mini-brass screws to lock the universal adjustable plate into place.



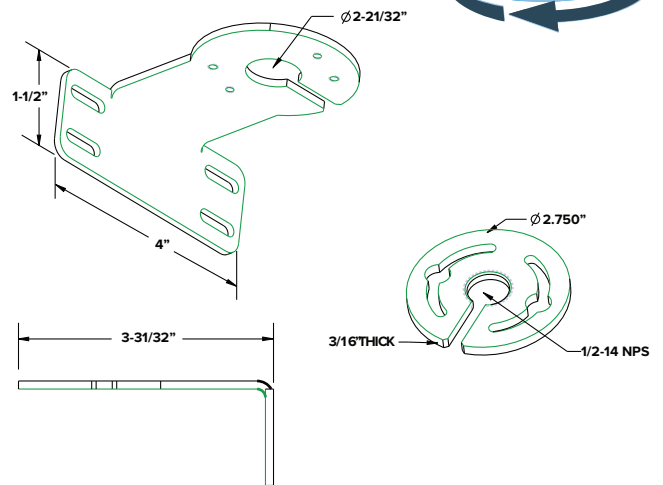
For use with Low Voltage Landscape Lighting Power units FOR OUTDOOR USE ONLY. Amps not to exceed: 25 AMPS; Volts not to exceed: 15 Volts. If using halogen, do not exceed 12V at the luminaire. If using LED, optimal operating range is 10V-14V.

WARNING: Luminaire must be installed in accordance with National Electric Code (NEC) and Local Codes. Failure to do so will void all warranties and may result in serious injury and/or damage to the luminaire.

SAFETY WARNING: Luminaire can become very hot depending on the lamp wattage used. Lens and metal around lamp can become hot enough to blister hands. Particular care should be taken not to locate luminaires where small children can reach them if high wattage lamps are used. **LUMINAIRES ARE NOT TO BE INSTALLED WITH 10 FT. (3.03M) OF A POOL OR SPA. SECONDARY CABLE IS NOT TO BE BURIED MORE THAN 6". WHEN USING MULTIPLE LUMINAIRES, LOAD IS NOT TO EXCEED THE TOTAL WATTS OF TRANSFORMER RATING. DO NOT USE EXTENSION CORDS ON POWER**

UNITS. LUMINAIRE IS UL LISTED FOR ABOVE GROUND INSTALLATION ONLY.

NOTE: Use UL rated wire connectors, low voltage power units, cable, and all other components.



Rev 2 | 4.23

Designed, CNC Machined, Finished and Assembled in America with US and Global Components
Factory Direct • Professional Grade • Landscape Lighting Fixtures, Supplies and Accessories