

MR16



DESCRIPTION

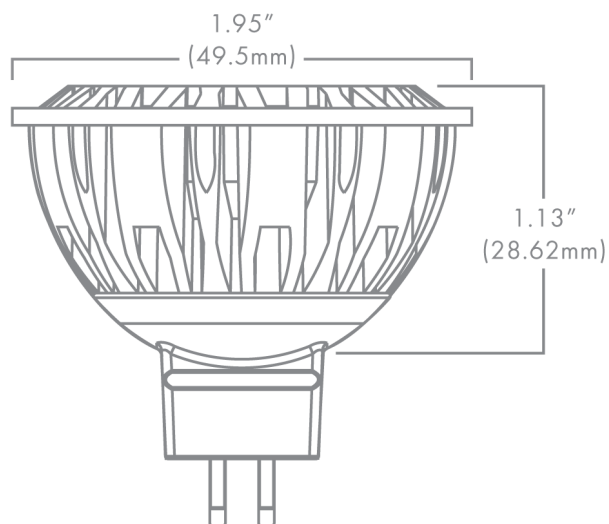
The Brilliance MR16 Bi-Pin is designed to fit in standard low voltage MR16 fixtures and offers a long lamp life. These LEDs are thermally engineered to operate in enclosed fixtures and provide added security by automatically cooling down and reducing lumen output when exposed to extreme heat, such as air temperatures above 125 °F. There is no color shift when lumen output is reduced. Dimmable with Brilliance Dimmer and most magnetic transformers. Suitable for damp locations and for use in totally enclosed luminaires. Not for underwater use.

FEATURES

- Earth tone colored housing
- Enhanced ESD (Electro-Static Discharge) protection (IEC-61000-4-2)
- Heat overload protection technology
- Fully potted PC board
- UL Certified E360351

MR16 SPECS

Wattage	4W	5W	7W
Volt Amps	6.35	8.33	11.11
Lumens	2700K	325	380
	3000K	350	400
	5700K	400	450
Beam Spread†	15°, 30°, 60°, 120°		
Kelvin Temperature	2700, 3000, 5700		
Color	Amber (4W, 5W, 30°) Red (5W, 30°) Blue (4W, 5W, 30°) Green (5W, 30°) Silver Green (5W, 30°, 60°)		
Operating Range	8-25 VAC/DC		
Replaces	20W, 35W, 50W Halogen		
CRI	85		
IP	61		
Lamp Life (hours)	50,000		
Warranty (years)	5		



Part Number: **MR16-X-XXXX-XXX**

Wattage | Kelvin | Beam spread



† Select Beam Spreads Available in Stock.
Call 800-867-2108 for availability.