



# ClaroLux®

LANDSCAPE LIGHTING

## MR11 Specification Sheet

# MR11 LEDs

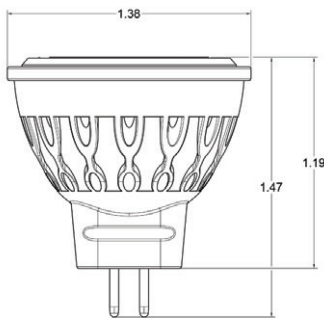
The ClaroLux® MR11 LED lamp offers a compact package featuring the latest in LED technology and design. Perfect for accent and spot lighting in smaller spaces, it features high efficiency thermal management and low power consumption. Available in several color temperatures and beam angles, the ClaroLux® MR11 is an ideal fit for any project requiring a more subtle lighting feature.

### FEATURES

- Durable dark silver pearl housing
- Dimmable with most magnetic transformers
- Thermally engineered to operate in enclosed fixtures
- Fully potted PC Board protects against moisture
- ETL compliant

### QUICK SPECS

- CRI: 85+
- IP RATING: 50
- CHIPSET: Samsung
- LAMP LIFE: 50,000
- WARRANTY: 5 years



### LUMEN OUTPUT

	2700K	3000K
<b>1W</b>	80	80
<b>2.5W</b>	140	150



MADE IN CHINA

Rev 71 | 4.23

Factory Direct • Professional Grade • Landscape Lighting Fixtures, Supplies and Accessories

2501 Greengate Drive | Greensboro, NC 27406 | ClaroLux.com