

STAKE & SHIELD Mini Beam Accessory

DESCRIPTION

Pair the optional Stake & Shield accessory with the Mini Beam for even more control and versatility in bringing light to small spaces. If your application calls for it, shape or bend the stake to optimize the light's aim. Mini Beam sold separately.

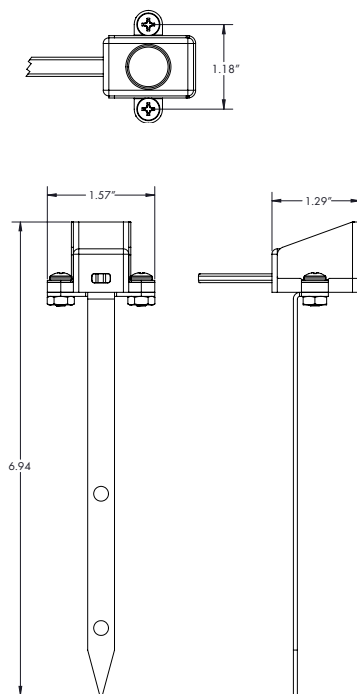
STAKE & SHIELD

Use	Combine with the Mini Beam for Applications Underwater, in Water Features, Under Stairs Along Stone Walls, Inside Lanterns, or in Any Small Space	
Finish	Brass	
Includes	Stainless Steel Stake, Stainless Steel Screws, Brass Shield	
Warranty	3 years	
Order Without Lamp	Fits Mini Beam	
	90, 200 lumen	MINI-BEAM-STAKE-&-SHIELD-90-200
	400 lumen	MINI-BEAM-STAKE-&-SHIELD-400



Stake and Shield shown with 90 Lumen Mini Beam

FOR 90, 200 LUMEN MINI BEAM



FOR 400 LUMEN MINI BEAM

