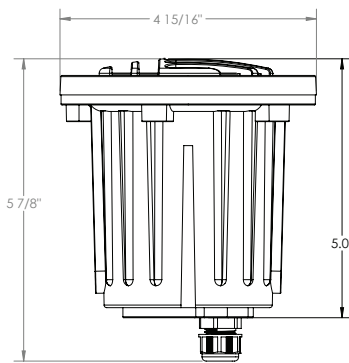
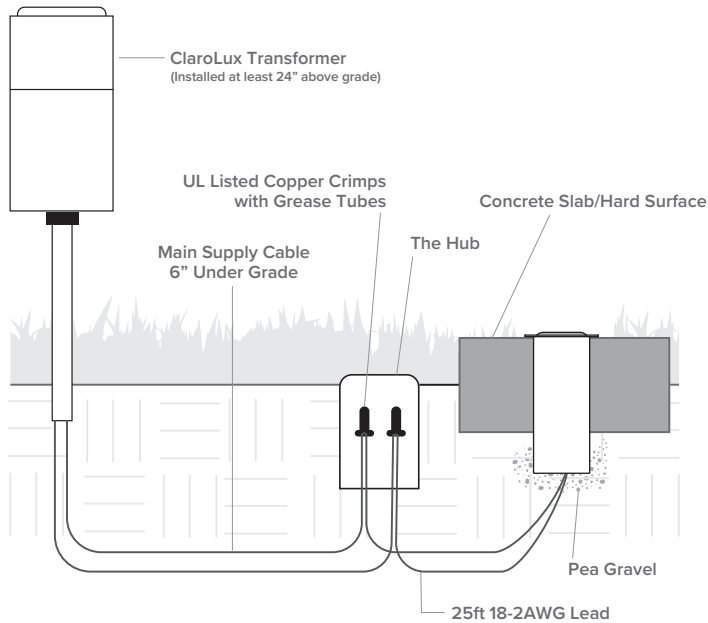




WL26-G Installation Sheet

Westridge Well Light

LUMINAIRE MOUNTING



Max Wattage:
20W MR16 LAMP

1. To prevent electrical shock, disconnect transformer from electrical supply before installation or service.
2. Core drill or dig a large enough hole to hold the ABS installation tube of the luminaire. NOTE: CORE DRILL SIZE REQUIRED: 2.5"
3. Use sand and pea gravel to secure the luminaire's ABS installation tube into the ground and allow for proper drainage. Once the ABS installation tube is securely installed into the ground, insert the luminaire into the ABS installation tube. NOTE: ALWAYS LEAVE SIX INCHES OF CABLE IN THE BASE OF THE ABS INSTALLATION TUBE FOR FUTURE SERVICING.
4. Strip the two leads from luminaire pigtail wire. Using two copper crimps/grease tubes or silicone filled safety connectors, connect the leads from luminaire to main supply cable. NOTE: Luminaires are supplied with 25' of 18-2 cable pigtail for secure connection to main cable supply. The wire is to be protected by routing in close proximity to luminaire. The wiring should be buried a maximum depth of 6" in order to connect to main supply cable.
5. Place the luminaire in the desired position and make sure that no debris is covering the luminaire.

IMPORTANT SAFETY INSTRUCTIONS - THE LIGHTED LAMP IS HOT!

WARNING: TO REDUCE THE RISK OF FIRE, OR INJURY TO PERSONS:

- 1) Turn off/unplug and allow to cool before replacing lamp.
- 2) Lamps get hot quickly! Only contact switch/plug when turning on.
- 3) Do not touch hot shroud or enclosure.
- 4) Keep lamp away from material that may burn.
- 5) Do not touch lamp at any time. Use a soft cloth. Oil from skin may damage lamp.
- 6) Do not operate luminaire fitting with a missing or damaged cover.

LAMP INSTALLATION & REPLACEMENT:

CAUTION: Do not exceed maximum wattage marked on luminaire label.

- 1) To prevent electrical shock, disconnect transformer from electrical supply before service.
- 2) Remove the lamp from the luminaire.
- 3) Replace lamp with correct wattage and type marked on fixture label.

NOTE: DO NOT touch lamp with bare hands. Always use soft cloth or the plastic wrapping (if available) from lamp to handle lamp.

For use with Low Voltage Landscape Lighting Power units. FOR OUTDOOR USE ONLY. Amps not to exceed: 25 AMPS; Volts not to exceed: 12 Volts. Max lamp wattage UL 20W & cUL 20W. If using halogen, do not exceed 12V at the luminaire. If using LED, optimal operating range is 10V-14V.

WARNING: Luminaire must be installed in accordance with National Electric Code (NEC) and Local Codes. Failure to do so will void all warranties and may result in serious injury and/or damage to the luminaire.

SAFETY WARNING: Luminaire can become very hot depending on the lamp wattage used. Lens and metal around lamp can become hot enough to blister hands. Particular care should be taken not to locate luminaires where small children can reach them if high wattage lamps are used. **LUMINAIRES ARE NOT TO BE INSTALLED WITH 10 FT. (3.03M) OF A POOL OR SPA. SECONDARY CABLE IS NOT TO BE BURIED MORE THAN 6".** WHEN USING MULTIPLE LUMINAIRES, LOAD IS NOT TO EXCEED THE TOTAL WATTS OF TRANSFORMER RATING. DO NOT USE EXTENSION CORDS ON POWER UNITS. LUMINAIRE IS UL LISTED FOR ABOVE GROUND INSTALLATION ONLY.

NOTE: Use UL rated wire connectors, low voltage power units, cable, and all other components.

