



ClaroLux[®]
LANDSCAPE LIGHTING

TL32 Specification Sheet

Luna Tree Light

Patent Pending

FEATURES

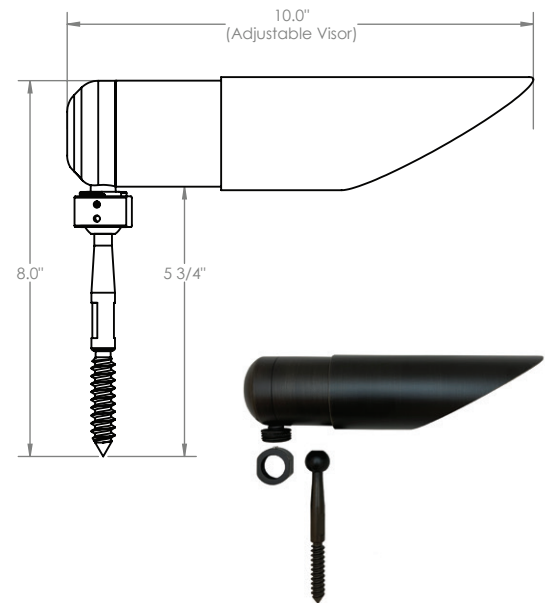
- Lifetime Warranty | Made in USA
- UL Listed
- Constructed For Extreme Conditions
- Eco-Efficient LED Technology
- Available in Custom Colors & Finishes
- Available Only Through ClaroLux Installation Professionals

APPLICATIONS

- Features a telescopic visor and swivel mount
- Glare reduction louver & coating
- Ideal for downlighting

QUICK SPECS

- MR16, oversized MR16
- Max Wattage: 20W
- Wire AWG: 18-2
- Wire Lead: 6ft
- UL Listed: USA & Canada
- Warranty: Lifetime



OPTIONAL ACCESSORIES

For a list of optional accessories speak with your professional ClaroLux installer.

AVAILABLE FINISHES



Rev 11 2.23