



# ClaroLux®

LANDSCAPE LIGHTING

## TL24 Specification Sheet

# TL24 Venice

Patent Pending

### FEATURES

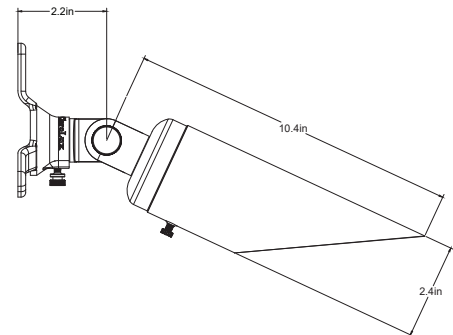
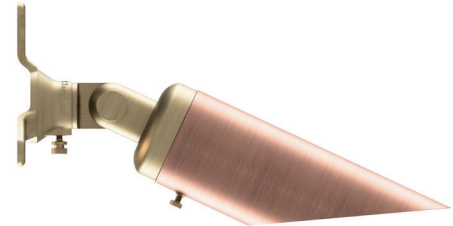
- Lifetime Warranty
- UL Listed
- Constructed For Extreme Conditions
- Eco-Efficient LED Technology
- Available in Custom Colors & Finishes
- Available Only Through ClaroLux Installation Professionals

### APPLICATIONS

- Ideal For Downlighting & Moonlighting
- Moonlighting Walkways, Driveways, Flowerbeds, & Lawns

### QUICK SPECS

- MR16
- Max Wattage: 35W
- Wire AWG: 18-2
- Wire Lead: 40ft
- UL Listed: USA & Canada
- Warranty: Lifetime



### OPTIONAL ACCESSORIES

For a list of optional accessories speak with your professional ClaroLux installer.

### AVAILABLE FINISHES



Rev 71 | 4.23

Designed, CNC Machined, Finished and Assembled in America with US and Global Components  
 Factory Direct • Professional Grade • Landscape Lighting Fixtures, Supplies and Accessories

2501 Greengate Drive | Greensboro, NC 27406 | ClaroLux.com